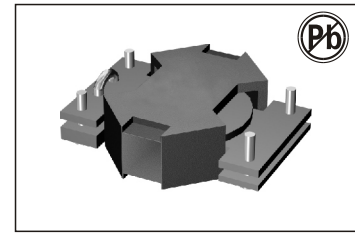


HIGH FREQUENCY 15W PLANAR TRANSFORMERS

FW14D SERIES



FEATURES:

- Power Rating Up to 15 Watts
- High Efficiency
- Footprint 14.60 mm × 16.58 mm
- Lower Profile of 5.80 mm
- High Isolation (operational) 1500 Vdc
- High Frequency 200 kHz–3.0 MHz
- Operating Temperature –40°C to +125°C

OPTIONS:

- Weight: 3.50 grams
- Tape & Reel: 400/reel
- Tube: 30/tube

COMMON APPLICATIONS:

- High efficiencies, high power density of 400 watts per cubic inch DC/DC converters.
- For forward, full-bridge, half-bridge and push-pull DC/DC converters.
- Input voltages between 18V and 75V, and output voltages from 18V down to 1.2V DC/DC converters.
- Telecommunications, industrial control systems,
- Automotive and heavy equipment vehicle systems

ELECTRICAL CHARACTERISTICS:

Part Number	Primary Inductance (uH Min)	Leakage Inductance (uH Max)	DC Resistance (mΩ Max)				Turns Ratio		Primary Second Hi-Pot	Figure	M. Height
			Primary			Secondary	Primary	Secondary			
			A	B	AUX.						
FW14D0601	30.00	0.50	46.0	N/A	N/A	1.80	6T	1T//1T	1500VDC	A	5.8mm
FW14D0602	30.00	0.50	46.0	N/A	N/A	3.60	6T	2T	1500VDC	A	5.8mm
FW14D0603	30.00	0.50	46.0	N/A	N/A	20.0	6T	3T	1500VDC	B	5.8mm
FW14D0606	30.00	0.45	46.0	N/A	N/A	40.0	6T	6T	1500VDC	C	5.8mm
FW14D0608	30.00	0.45	46.0	N/A	N/A	55.0	6T	8T	1500VDC	C	5.8mm
FW14D0610	30.00	0.45	46.0	N/A	N/A	100	6T	10T	1500VDC	C	5.8mm
FW14D1201	120.0	1.00	150	N/A	N/A	1.80	12T	1T//1T	1500VDC	A	5.8mm
FW14D1202	120.0	1.00	150	N/A	N/A	3.60	12T	2T	1500VDC	A	5.8mm
FW14D1203	120.0	1.00	150	N/A	N/A	20.0	12T	3T	1500VDC	B	5.8mm
FW14D1206	120.0	0.95	150	N/A	N/A	40.0	12T	6T	1500VDC	C	5.8mm
FW14D1208	120.0	0.95	150	N/A	N/A	55.0	12T	8T	1500VDC	C	5.8mm
FW14D1210	120.0	0.95	150	N/A	N/A	100	12T	10T	1500VDC	C	5.8mm

APPLICATION OF CONFIGURATION

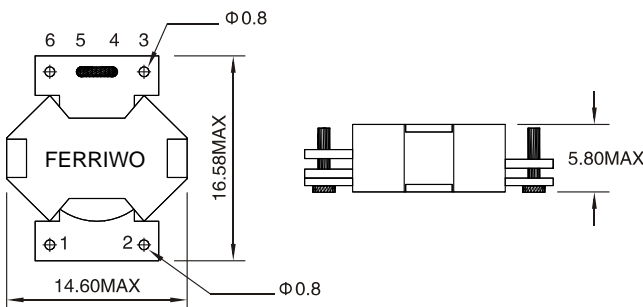
Part Number	Vin	Vout & Iout
FW14D0601	18–36Vdc	1.2V@12.5A–1.8V@8.33A
FW14D0602	18–36Vdc	2.5V@6.00A–3.3V@4.55A
FW14D0603	18–36Vdc	5.0V@3.00A
FW14D0606	18–36Vdc	8.0V@1.88A–10V@1.50A
FW14D0608	18–36Vdc	12V@1.25A–15V@1.00A
FW14D0610	18–36Vdc	16V@0.93A–18V@0.833A
FW14D1201	36–75Vdc	1.2V@12.5A–1.8V@8.33A
FW14D1202	36–75Vdc	2.5V@6.00A–3.3V@4.55A
FW14D1203	36–75Vdc	5.0V@3.00A
FW14D1206	36–75 Vdc	8.0V@1.88A–10V@1.50A
FW14D1208	36–75 Vdc	12V@1.25A–15V@1.00A
FW14D1210	36–75 Vdc	16V@0.93A–18V@0.833A

This is a matrix of the winding configurations. They are ideally suited to hand between 10–15W of power supply on DC–CD converters application.

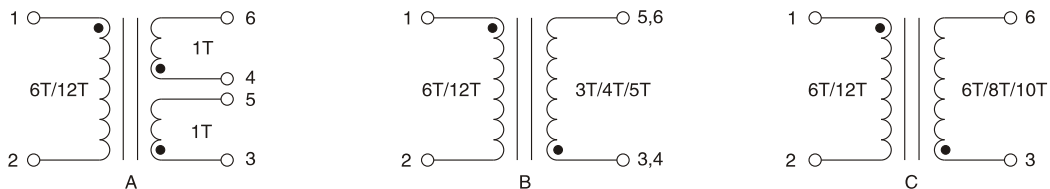
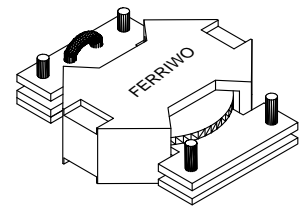
TECHNICAL INFORMATION

1. The inductance is measured between Pin (1–2) at 100 kHz, 100 mVrms
2. The leakage inductance is measured in primary winding Pin(1–2) with secondary winding shorted.
3. All specifications typical at TA=25°C ± 5°C.

PHYSICAL CHARACTERISTICS



SUGGESTED PAD LAY-OUT



SCHEMATIC

Note: All specifications subject to change without notice.